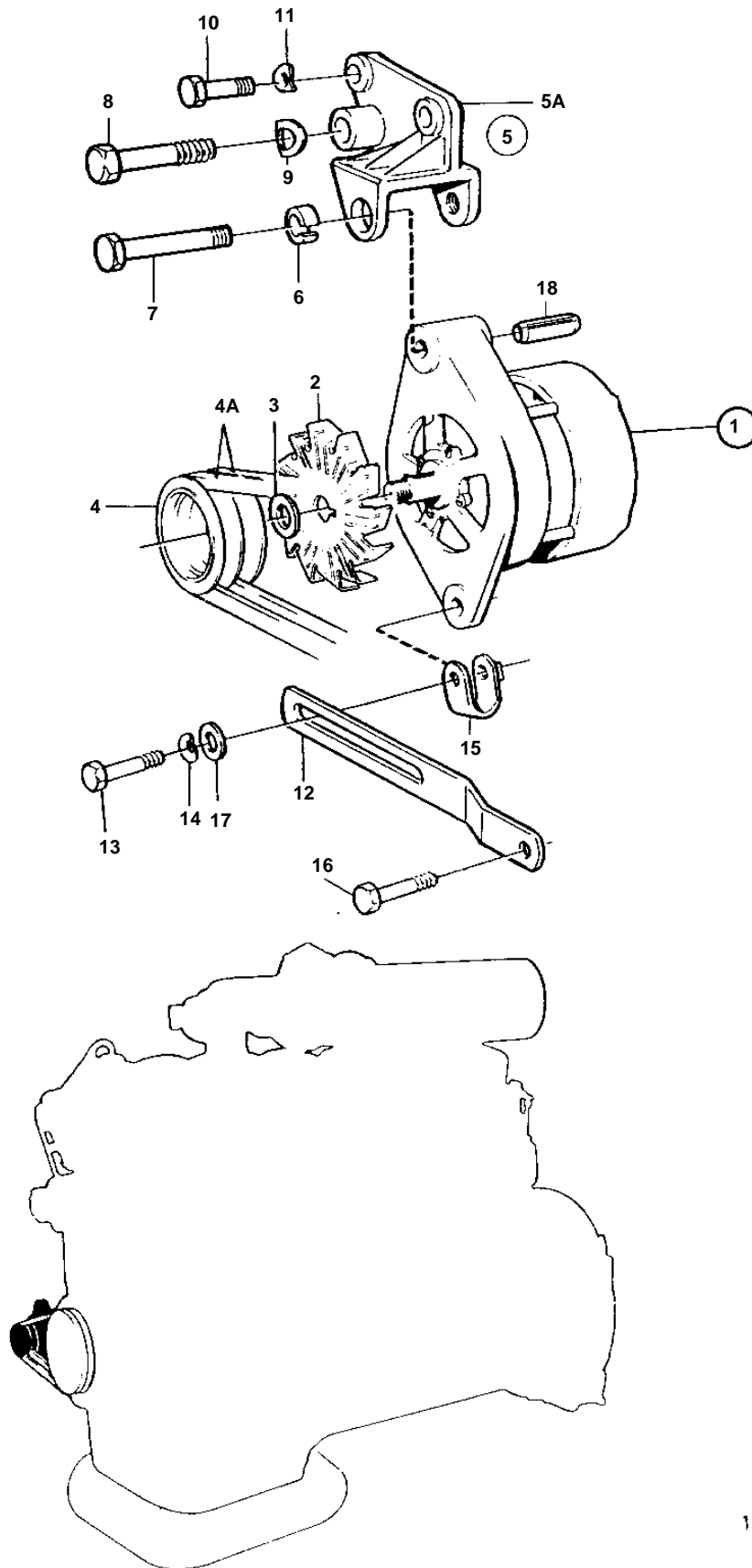


TD1010G, TWD1010G, TAD1030G, TAD1030P



15795

TD1010G, TWD1010G, TAD1030G, TAD1030P

REF	PART NO.	QTY	DESCRIPTION	SEE SEC.	NOTES
1	872021	1	Alternator		28V 60A. For 24 voltage electric system.
				127	
2	847707	1	Fan		Included in alternator.
3	955900	1	Washer		
4	822573	1	Pulley		
4A	966991	1	V-belt kit		
5	3825849	1	Bracket		COMPL
5A		1	· Bracket		
6	831920	1	· Bushing		
7	955555	1	Screw		
8	971003	1	Screw		
9	941911	1	Spring washer		
10	955538	2	Screw		
11	940097	2	Washer		
12	863726	1	Tensioner		
13	955299	1	Screw		
14	941907	1	Spring washer		
15	466734	1	Tensioning eyelet		
16	955542	1	Screw		
17	191172	1	Washer		
18	1610144	1	Pin		